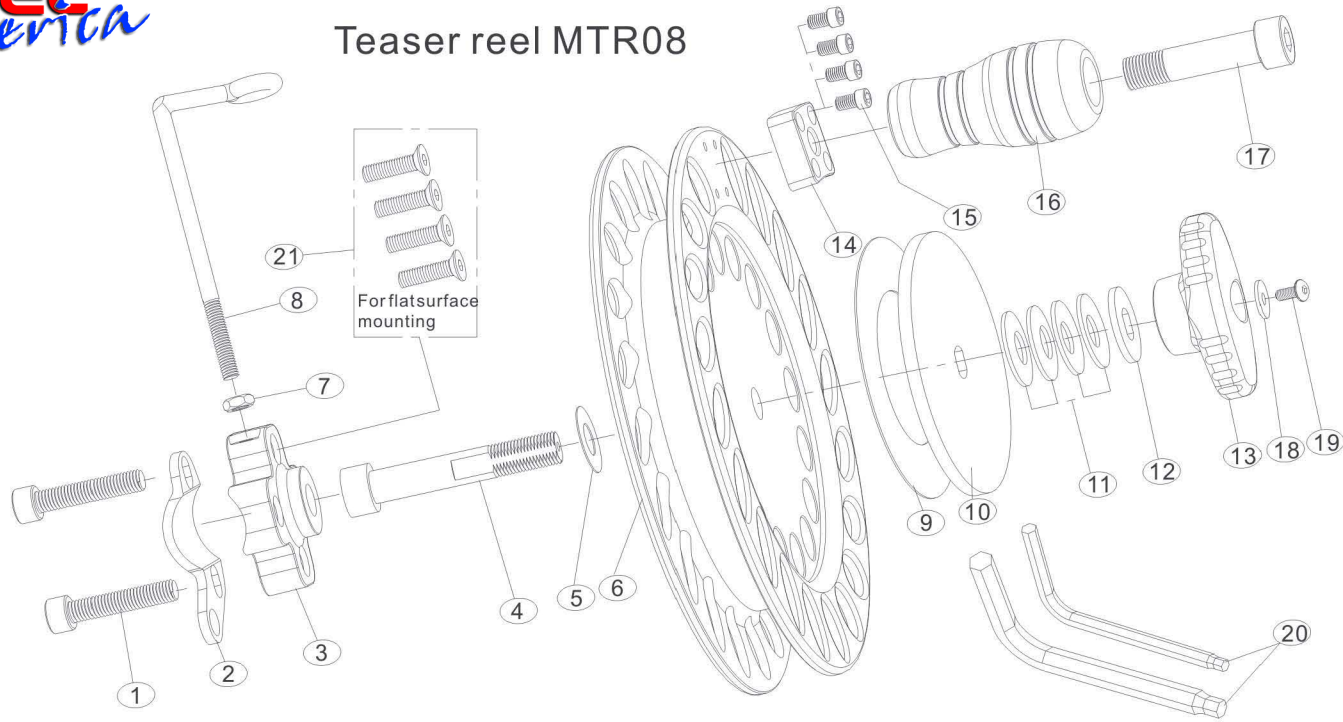


Teaser reel MTR08



No.	PARTSNAME	No.	PARTSNAME
1	Fixed screw 1	12	Thick washer
2	Rod clamp	13	Drag tension knob
3	Fixed base	14	Knob base
4	Main shaft	15	Knob base screw
5	Spacer	16	Handle knob
6	Spool	17	Handle knob screw
7	Hex.nut	18	Anti-loosen slice
8	Line guide	19	Anti-loose slice screw
9	Drag washer	20	Hex. wrench
10	Pressure plate	21	Fixed screw 2
11	Spring washer		