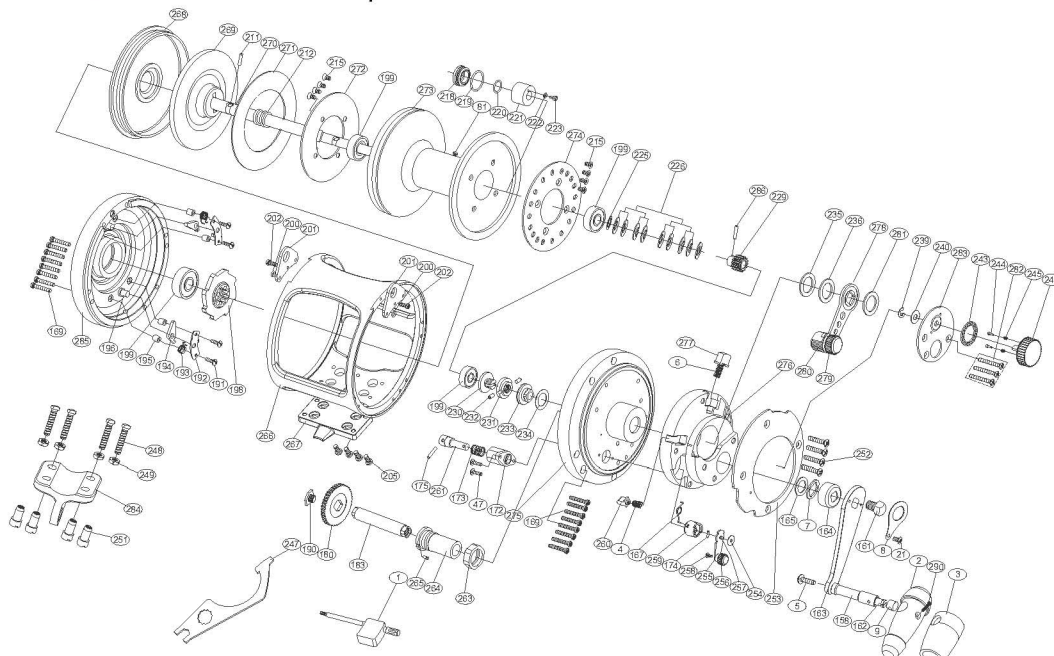




# SEAEAGLE One Speed

# OSE80W



No.	PARTSNAME	No.	PARTSNAME	No.	PARTSNAME
1	Wrench A	201	Harness lugs	257	Strike alert nail
2	Handle knob	202	Harness lugs screw	258	Strike alert shaft screw
3	Knob EVA cover	205	Reel foot screws	259	Alarm limited coat
4	Limited buttonspring	211	Gear shaft pin	260	Limited button
5	Handle knob screw	212	Spool shaft spring	261	Alarm hammer
7	Thrust washer	215	Spool drag screw	263	Holder nut
8	Stopping slice	218	Piston cover	264	Drive shaft cover
9	Handle shaft retainer	219	Piston big ring	265	Shaft nail
21	Retainer screw	220	Piston small washer	266	Frame
47	Alarm lever screw	221	Piston button	267	Reel foot
81	Spool nail	222	Piston sealing washer	268	Cooling shield
158	Handle shaft coat	223	Piston screw	269	Pressure plate
161	Handle bolt	225	Spool washer	270	Spool shaft
162	T handenail	226	Spool spring washer	271	Drag washer
163	Handle arm	229	High speed pinion gear	272	Spool washer
164	Drive shield	230	Pre-program screw	273	Spool
165	Drive shaft washer	231	Pre-program key	274	Alarm sound slice
167	Alarm crosspin suffort	232	Pre-program key pin	275	Front plate
169	Side plate screws	233	Eccentric	276	Right side plate
172	Alarmsupport	234	Pre-program plate washer	277	Strike stop
173	Alarm spring	235	Dragcontrol lever thrust ring	278	Drag control lever
174	Alarm lever crosspin suffort	236	Dragcontrol lever thrust ring	279	Drag control lever cap
175	Alarm lever crosspinsuffort	239	"E" washer	280	Drag control lever
180	Drive gear-high speed	240	Dial washer	281	Drag control lever washer
183	Drive shaft	243	Sound silce	282	Leverhub nail
190	Drive shaft screw	244	Soundnail	283	Leverhub cover
191	Stopping bracket screw	245	Soundnailspring	284	Rod clamp
192	Stopping bracket	246	Drag tension knob	285	Left side plate
193	Stopping blockspring	248	Fixed screw	286	Gear shaft pin
194	Anti reverse dog	249	Fixed nuts	287	Push buttonspring
195	Plate support	251	Fixed nuts	288	Push slice screw
196	Stop shaft	252	Limited cover screw	289	Push slice
198	Anti-reverse ratchet	253	Limited cover	290	Handle knob screw
199	Ball bearing	254	Spacer		
200	Rubber ring	256	Strike alert shaft		