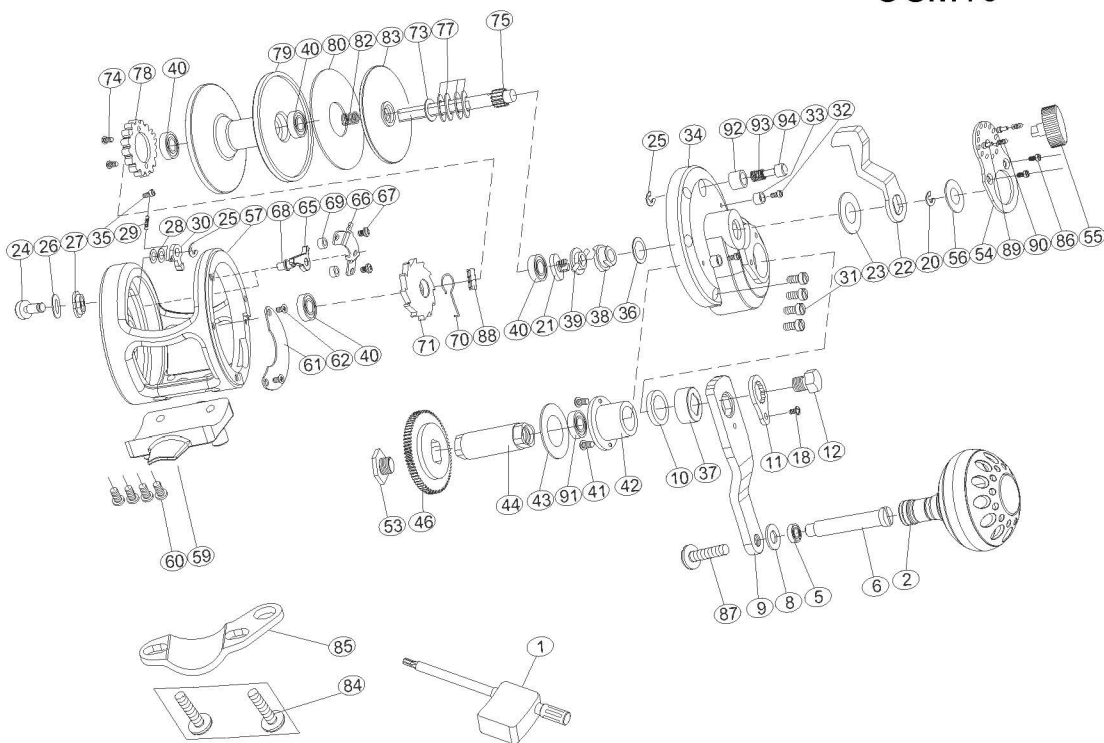




# SEAMASTER One Speed

OSM08  
OSM10



No.	PARTSNAME	No.	PARTSNAME	No.	PARTSNAME
1	Wrench	35	Sound spring pin	69	Plate support
2	Handle knob	36	Pre-program plate washer	70	Spring for silence
5	Ball bearing	37	Drive shield	71	Anti-reverse ratchet
6	T handle nail	38	Pre-program plate	73	Spool washer
8	Handle shaft coat washer	39	Pre-program key	74	Alert ratchet screws
9	Handle arm	40	Ball bearing	75	High speed pinion gear
10	Drive shaft washer	41	Shaft screws	77	Spool spring washer
11	Stopping slice	42	Drive shaft coat	78	Alert ratchet
12	Handle bolt	43	Drive shaft coat washer	79	Spool
18	Buttonscrew	44	Drive shaft	80	Drag plate
21	Pre-program screw	46	Drive gear-high speed	82	Press spring
22	Drag control lever	53	Drive shaft screw	83	Pressure plate
23	Drag control lever washer	54	Lever hub cover	84	Fixed screws
24	Strike alert lever	55	Drag tension knob	85	Rod clamp
25	Strike alert lever E washer	56	Drag control lever washer	86	Fixed plate screws
26	Alarmad just coat washer	57	Frame	87	Handle knob screw
27	Alarmad just coat	59	Reel foot	88	Spring cover for silence
28	Sound nail washer	60	Reel foot screws	89	Sound nail
29	Sound spring	61	Close cover	90	Sound nail spring
30	Sound nail	62	Close cover screws	91	Ball bearing
31	Side plate screws	65	Anti-reverse dog	92	Limited bushing
32	Limited screw	66	Set plate	93	Limited spring
33	Limited bushing	67	Set plate screws	94	Limited nail
34	Right side plate	68	Set plate nail		