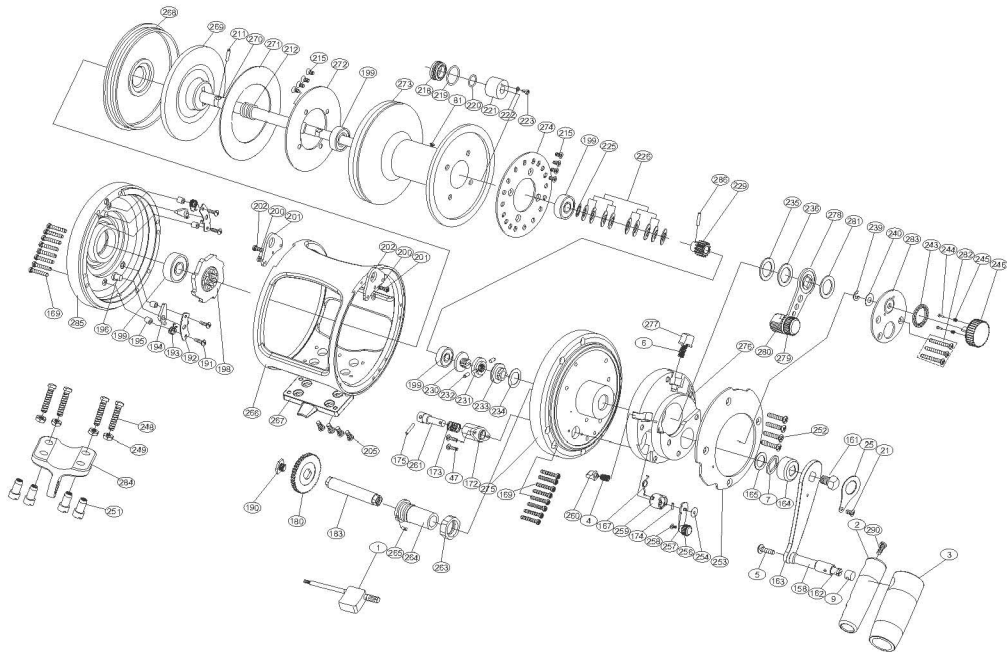




SEAWOLF One Speed

OSW80W



No.	PARTSNAME	No.	PARTSNAME	No.	PARTSNAME
1	Wrench A	199	Ball bearing	254	Spacer
2	Handle knob	200	Rubber ring	255	Strike alert lever
3	Knob EVA cover	201	Harness lugs	256	Strike alert shaft
4	Limitedbuttonspring	202	Harness lugs screw	257	Strike alert nail
5	Handle knob screw	205	Reel foot screws	258	Strike alert shaft screw
6	Strike stop spring	211	Gear shaft pin	259	Alarm limited coat
7	Thrust washer	212	Spool shaft spring	260	Limited button
8	Stopping slice	215	Spool drag screw	261	Alarm hammer
9	Handle shaft retainer	218	Piston cover	263	Holder nut
21	Retainer screw	219	Piston big ring	264	Drive shaft cover
26	Fixed nail	220	Piston small washer	265	Shaft nail
47	Alarm lever screw	221	Piston button	266	Frame
81	Spool nail	222	Piston sealing washer	267	Reel foot
158	Handle shaft coat	223	Piston screw	268	Cooling shield
161	Handle bolt	225	Spool washer	269	Pressure plate
162	T handlenail	226	Spool spring washer	270	Spool shaft
163	Handle arm	229	High speed pinion gear	271	Drag washer
164	Drive shield	230	Pre-program screw	272	Spool washer
165	Drive shaft washer	231	Pre-program key	273	Spool
167	Alarm crosspin support	232	Pre-program key pin	274	Alarm sound slice
169	Side plate screws	233	Eccentric	275	Front plate
172	Alarmsupport	234	Pre-program plate washer	276	Right side plate
173	Alarm spring	235	Drag control lever thrust ring	277	Strike stop
174	Alarm lever crosspin support	236	Drag control lever thrust ring	278	Drag control lever
175	Alarm lever crosspin support	239	"E" washer	279	Drag control lever cap
180	Drive gear-high speed	240	Dial washer	280	Drag control lever
183	Drive shaft	243	Sound slice	281	Drag control lever washer
190	Drive shaft screw	244	Sound nail	282	Leverhub nail
191	Stopping bracket screw	245	Sound nail spring	283	Leverhub cover
192	Stopping bracket	246	Drag tension knob	284	Rod clamp
193	Stopping blockspring	248	Fixed screw	285	Left side plate
194	Anti reverse dog	249	Fixed nuts	286	Gear shaft pin
195	Plate support	251	Fixed nuts	290	Handle knob screw
196	Stop shaft	252	Limited cover screw		
198	Anti-reverse ratchet	253	Limited cover		