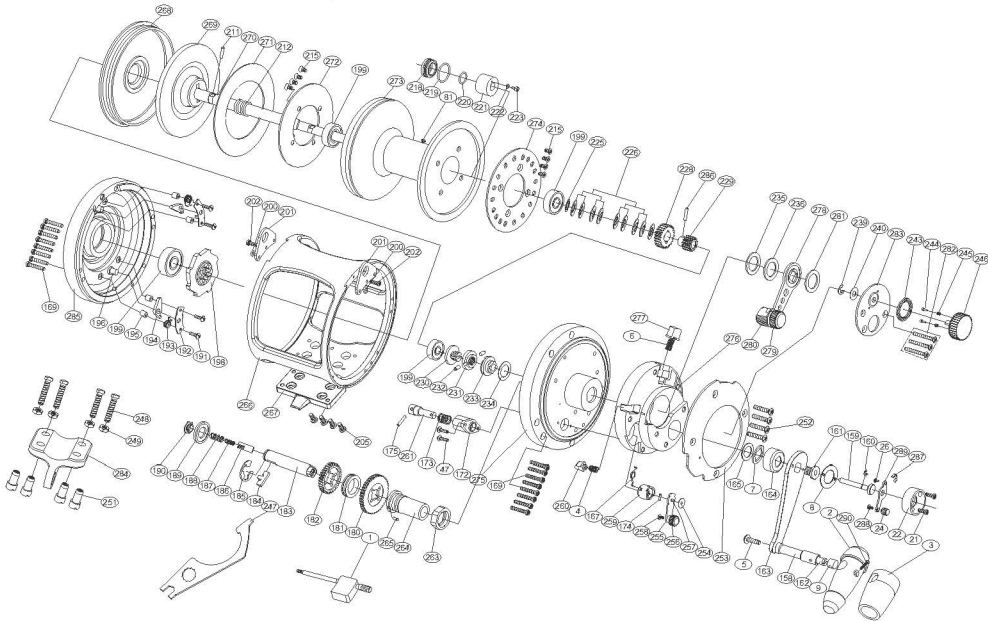




SEAEAGLE Two Speed

SE80W



No.	PARTSNAME	No.	PARTSNAME	No.	PARTSNAME
1	Wrench A	191	Stopping bracket screw	251	Fixed nuts
2	Handle knob	192	Stopping bracket	252	Limited cover screw
3	Knob EVA cover	193	Stopping block spring	253	Limited cover
4	Limited button spring	194	Anti reverse dog	254	Spacer
5	Handle knob screw	195	Plate support	255	Strike alert lever
6	Strike stop spring	196	Stop shaft	256	Strike alert shaft
7	Thrust washer	198	Anti-reverse ratchet	257	Strike alert nail
8	Stopping slice	199	Ball bearing	258	Strike alert shaft screw
9	Handle shaft retainer	200	Rubber ring	259	Alarm limited coat
21	Retainer screw	201	Harness lugs	260	Limited button
22	Button basement	202	Harness lugs screw	261	Alarm hammer
24	Alarm lever knob	205	Reel foot screws	263	Holder nut
26	Fixed nail	211	Gear shaft pin	264	Drive shaft cover
47	Alarm lever screw	212	Spool shaft spring	265	Shaft nail
81	Spool nail	215	Spool drag screw	266	Frame
158	Handle shaft coat	218	Piston cover	267	Reel foot
159	Push button shaft	219	Piston big ring	268	Cooling shield
160	"E" washer	220	Piston small washer	269	Pressure plate
161	Handle bolt	221	Piston button	270	Spool shaft
162	T handlenail	222	Piston sealing washer	271	Drag washer
163	Handle arm	223	Piston screw	272	Spool washer
164	Drive shield	225	Spool washer	273	Spool
165	Drive shaft washer	226	Spool spring washer	274	Alarm sound slice
167	Alarm crosspin support	228	Pinion gear	275	Front plate
169	Side plate screws	229	High speed pinion gear	276	Right side plate
172	Alarm support	230	Pre-program screw	277	Strike stop
173	Alarm spring	231	Pre-program key	278	Drag control lever
174	Alarm lever crosspin support	232	Pre-program key pin	279	Drag control lever cap
175	Alarm lever crosspin support	233	Eccentric	280	Drag control lever
180	Drive gear-high speed	234	Pre-program plate washer	281	Drag control lever washer
181	Various speed washer	235	Drag control lever thrust ring	282	Lever hub nail
182	Drive gear-low speed	236	Drag control lever thrust ring	283	Lever hub cover
183	Drive shaft	239	"E" washer	284	Rod clamp
184	Slide knob	240	Dial washer	285	Left side plate
185	"E" washer	243	Sound slice	286	Gear shaft pin
186	Slide coat	244	Sound nail	287	Push button spring
187	Shaft insert spring	245	Sound nail spring	288	Push slice screw
188	Drive shaft spring	246	Drag tension knob	289	Push slice
189	Friction washer	248	Fixed screw	290	Handle knob screw
190	Drive shaft screw	249	Fixed nuts		