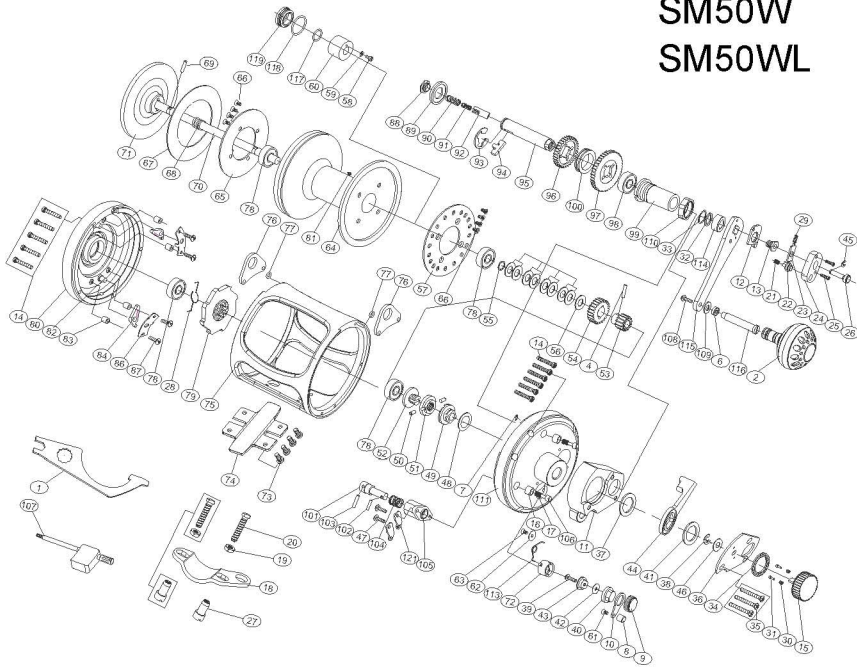




# SEAMASTER Two Speed

SM50  
SM50W  
SM50WL



No.	PARTSNAME	No.	PARTSNAME	No.	PARTSNAME
1	Wrench A	42	Alarm washer	81	Spool nail
2	Handle knob	43	Crosspin support	82	Set plate nail
4	Gear shaft pin	44	Dragcontrollever	83	Platesupport
6	Ball bearing	45	PushbottonE washer	84	Anti-reverse dog
7	Limited nail "E" washer	46	Dial washer	86	Set plate
8	Alarm lever knob	47	Alarm lever screw	87	Set plate screws
9	Alarm lever cap	48	Pre-program plate washer	88	Drive shaft screw
10	Alarm lever slice	49	Pre-program plate	89	Friction washer
11	Right side support plate	50	Pre-program key pin	90	Drive shaft spring
12	Stopping slice	51	Pre-program key	91	Shaft insert spring
13	Handle bolt	52	Pre-program screw	92	Slide coat
14	Right side plate screws	53	High speed pinion gear	93	"E" washer
15	Drag tension knob	54	Pinion gear	94	Gear cross bar
16	Limited bushing	55	Spool washer	95	Drive shaft
17	Limited spring	56	Spool spring washer	96	Drive gear-low speed
18	Rod clamp	57	Alert ratchet	97	Drive gear-high speed
19	Fixed nuts	58	Pistonscrew	98	Ball bearing
20	Fixed screws	59	Pistonsmallwasher	99	Drive shaft coat
21	Speedupbuttonspring	60	Pistonbutton	100	Various speed washer
22	Speedupbutton	61	Spooldrag screw	101	Alarm hammer
23	Push slice	62	Springboard	102	Alarm lever crosspin suffort (A)
24	Push button cover	63	Springboardfixedscrew	103	Alarm lever crosspin suffort (B)
25	Buttonscrew	64	Spool	104	Alarm spring
26	Pushbuttonshaft	65	Spool washer	105	Alarm support
27	Fixed nuts	66	Spooldrag screw	106	Limited nail
28	Spring for silence	67	Drag plate	107	WrenchB
29	Push spring	68	Spool shaft spring	108	Handle knob screw
30	Sound nail spring	69	Gear shaft pin	109	Handle shaft coat washer
31	Sound nail	70	Spoolshaft	110	Holdemut
32	Drive shaft washer	71	Pressure plate	111	Right side plate
33	Drive shaft washer	72	Alarm limited coat	113	Alarm crosspin spring
34	Sound slice	73	Reel foot screws	114	Drive shield
35	Fixed plate screws	74	Reel foot	115	Handle arm
36	Lever hub cover	75	Frame	116	T handle nail
37	Drag control lever ring	76	Harness lugs	117	Pistonsmallwasher
38	"E" washer	77	"O" ring	118	Pistonsealingwasher
39	Crosspin fixed screw	78	Ball bearing	119	Pistoncover
40	Alarm lever base	79	Anti-reverse ratchet	121	Slidersupport
41	Drag control lever washer	80	Left side plate		